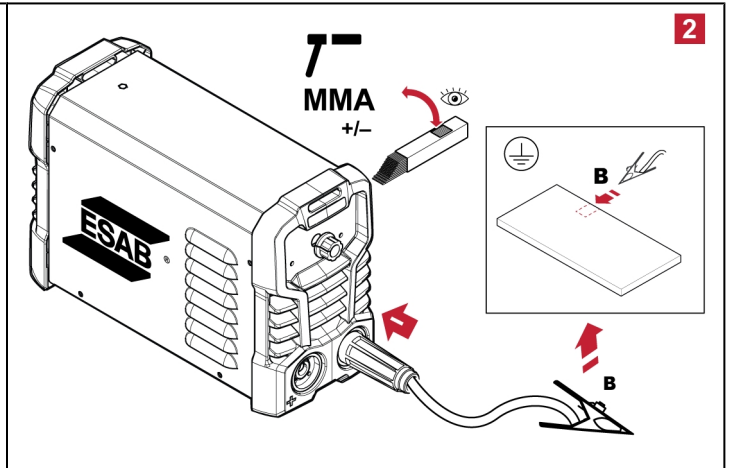
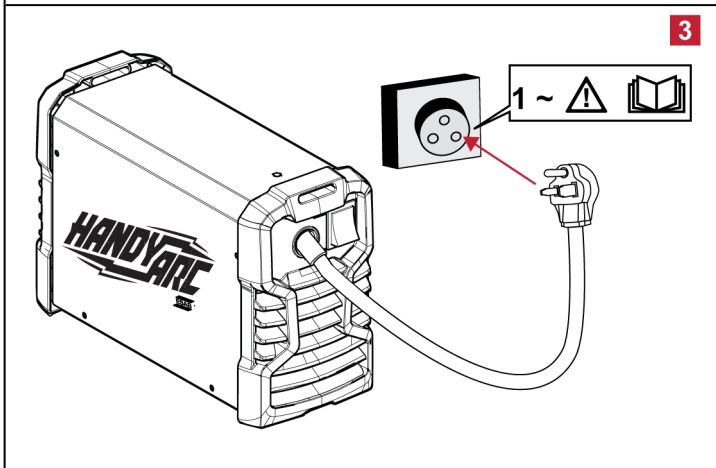


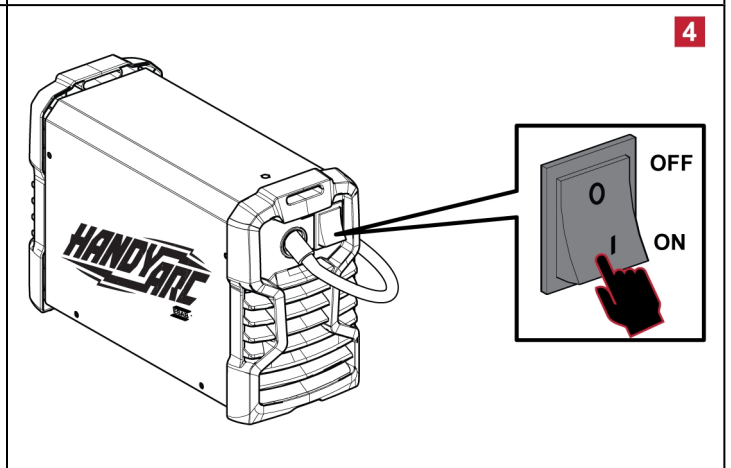
1



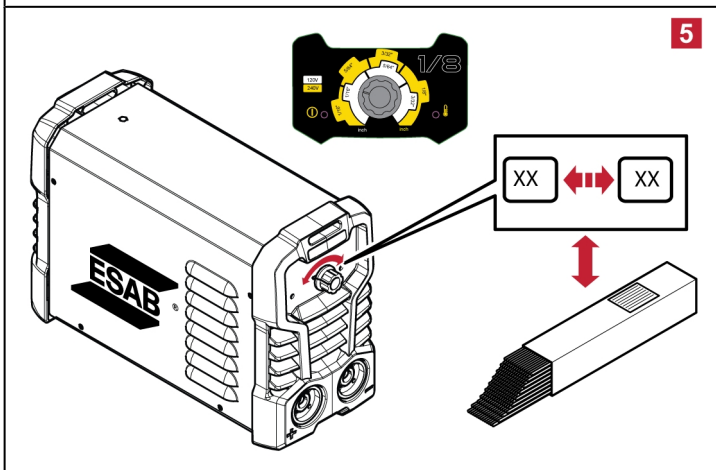
2



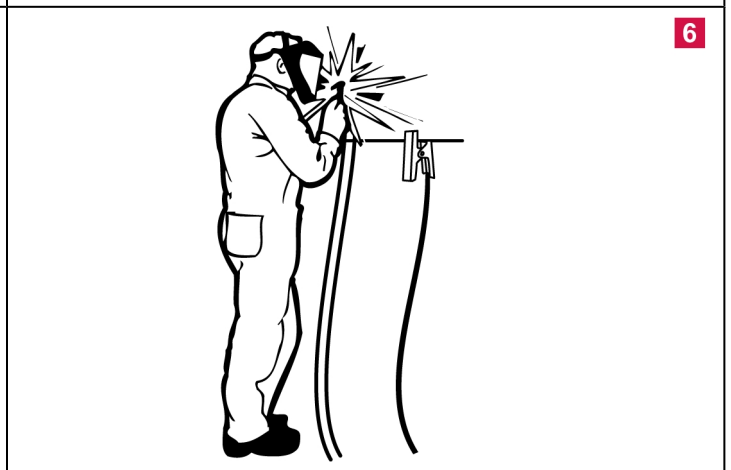
3



4



5



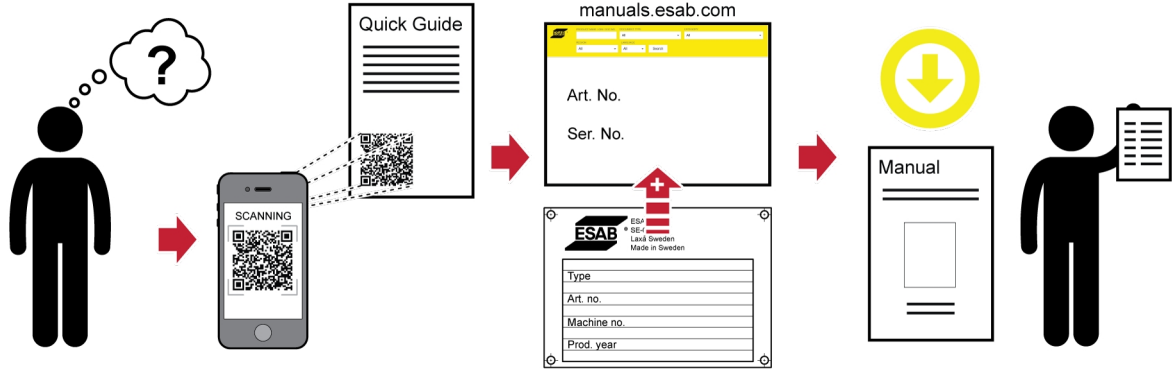
6

Quick Start Guide

WE CARE ABOUT THE ENVIRONMENT

FIND YOUR MANUAL ONLINE

manuals.esab.com



For contact information visit esab.com

ESAB Corporation, 2800 Airport Road Denton, TX 76207, USA, Phone +1 800 378 8123

manuals.esab.com

